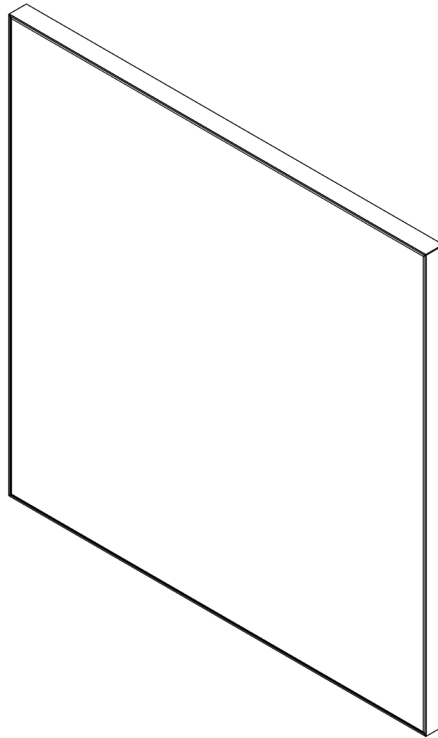


# SS50 Wall Panel

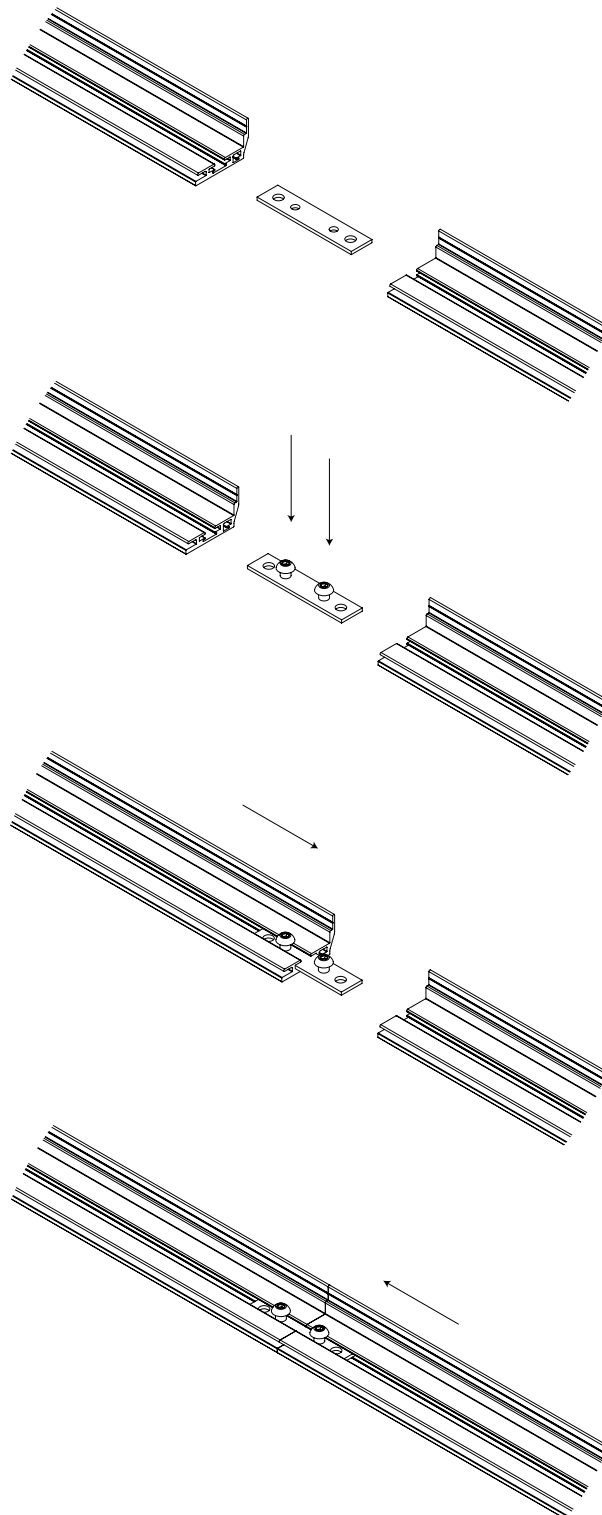


Installation manual for oversize wall panels

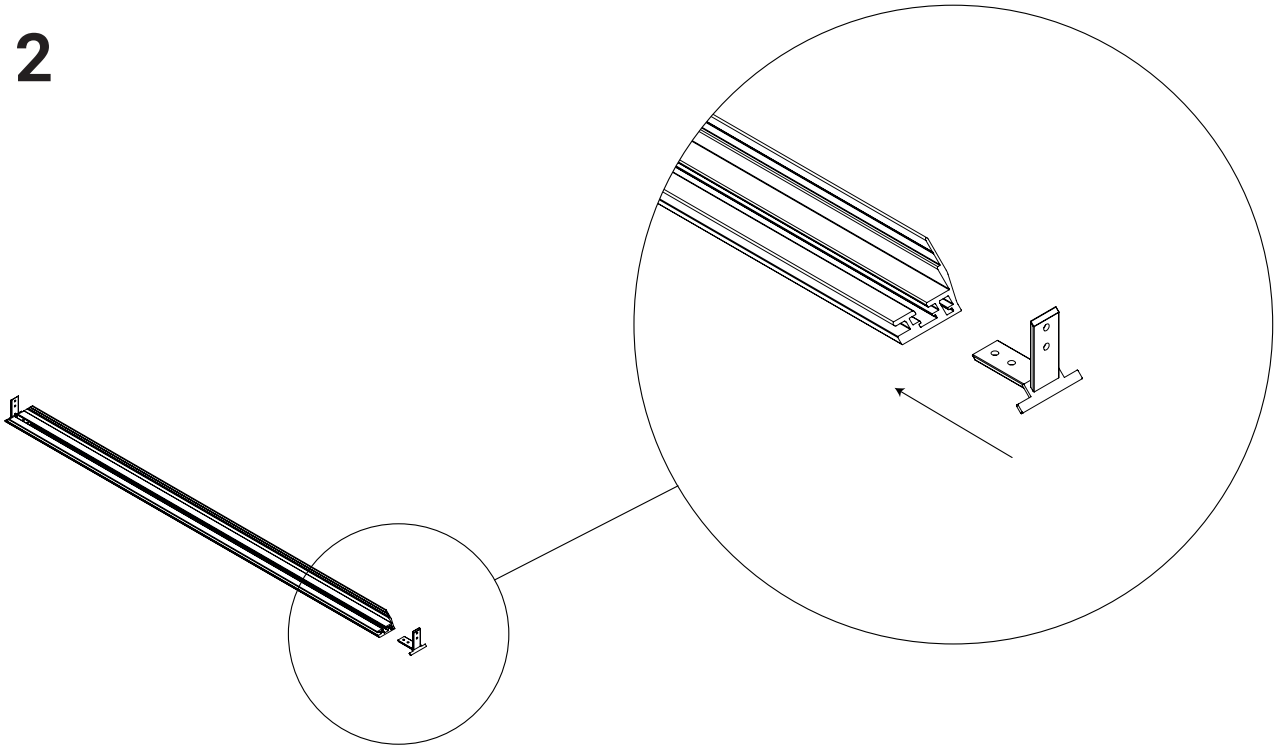
1

**Note:**

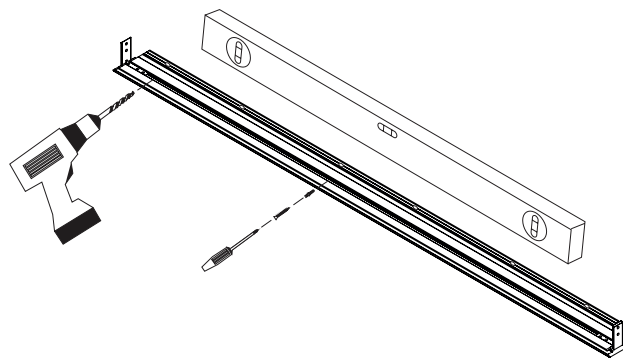
Frame assembly fittings are only included for frame extensions



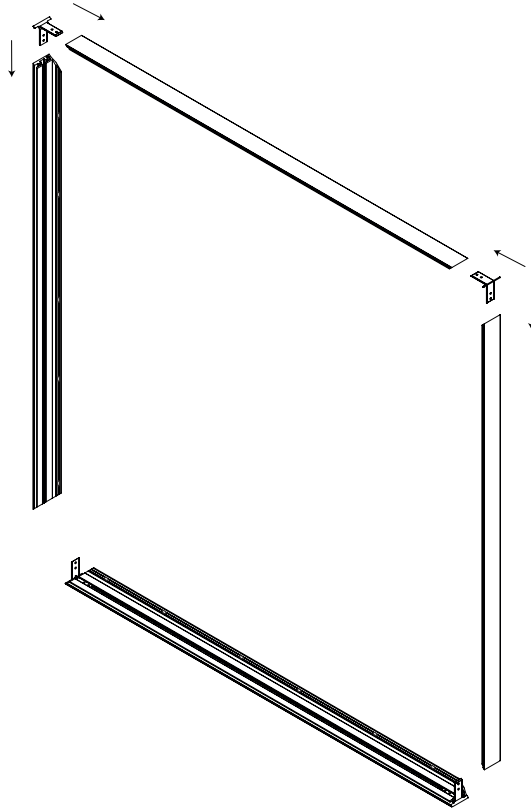
2



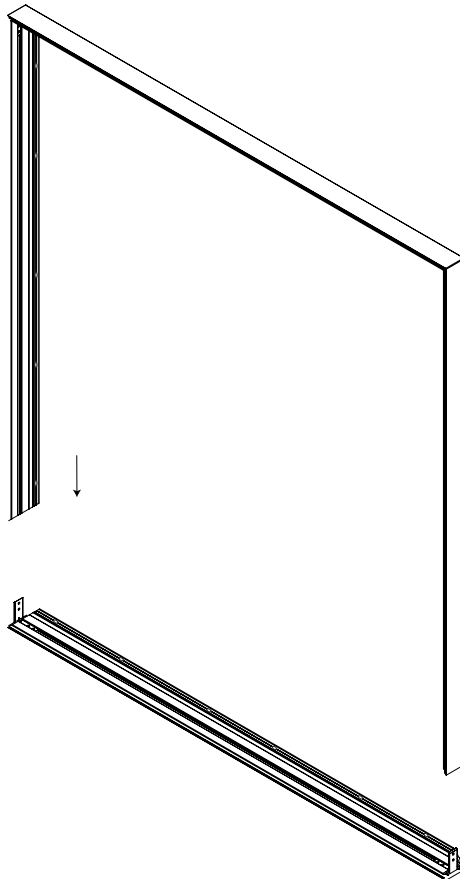
3



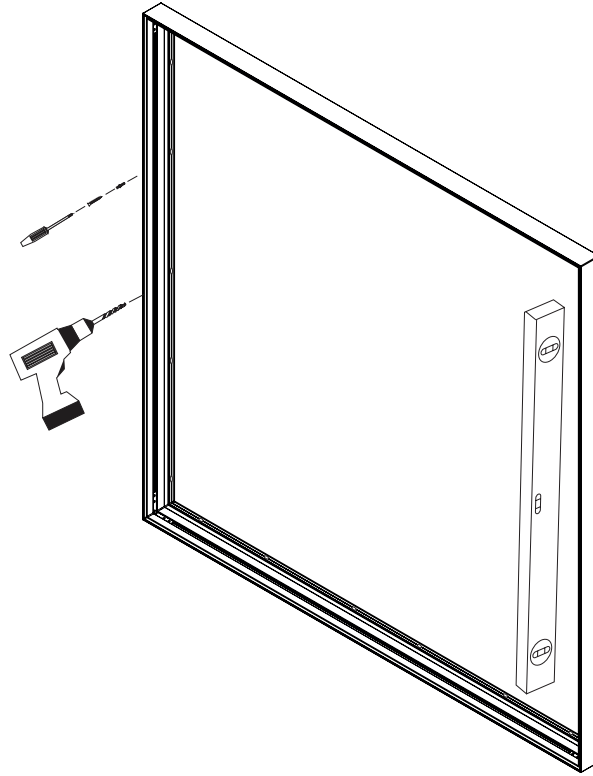
4



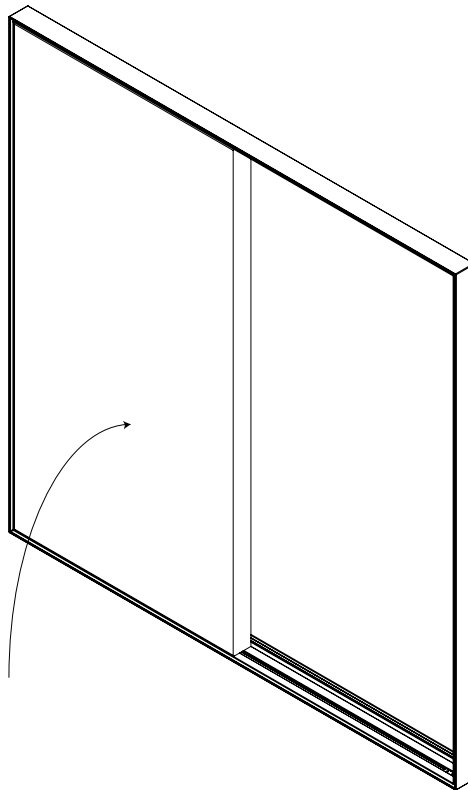
5



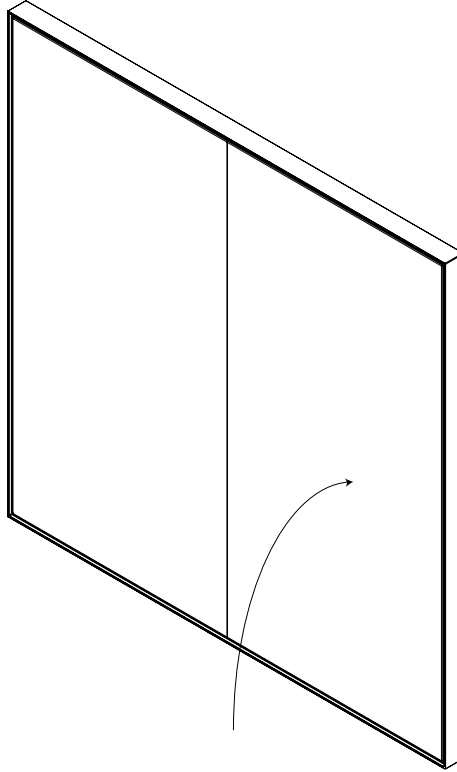
6



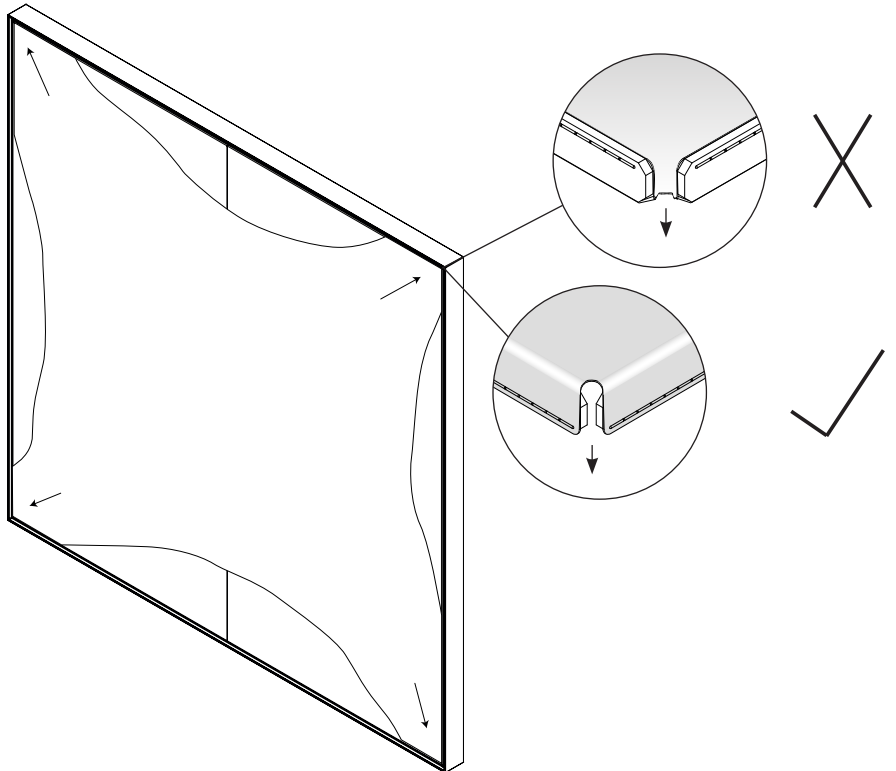
7



8



9



**10**

