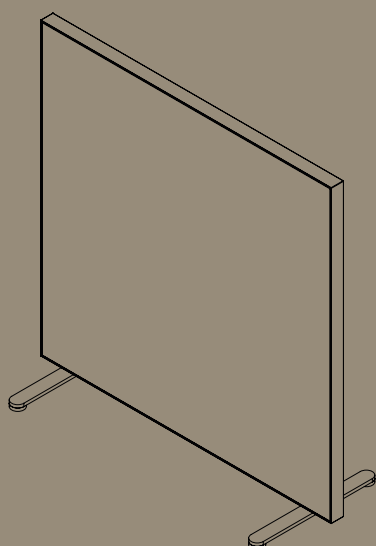
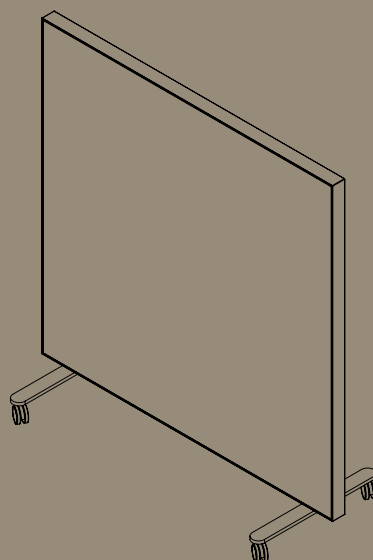
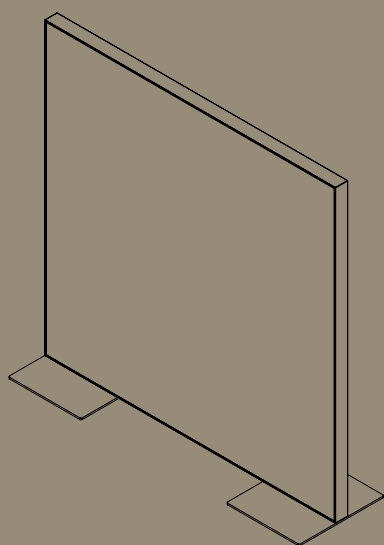


SS50 Floor Screen

Acoustic free standing screen



AKUART

SS50 Floor Screen



Product Description

The Akuart SS50 Floor Screen provides endless possibilities of creating beautiful stand alone acoustic interior designs. The core material and dimensions are meticulously engineered to interrupt speech from one workstation to another. The floor screen offers superb acoustic functionality and an exceptional array of design options. Choose from a wide range of frame colors, feet designs and canvas options to make this acoustic solution fit your distinct needs. The screen comes with a variety of special features including the characteristic Akuart changeable canvas and a designed for disassembly product philosophy making it possible to recycle each and every single component of the screen.

Components

Frame:	Aluminum with 75% upcycled aluminum scrap. Fine structure powder coating
Acoustic material:	50 mm PET with 50% fibres from recycled plastic bottles
Canvas:	Changeable polyester textile made with 100% recycled polyester fibre.
Corner Inserts:	Metal inserts. Fine structure powder coating
Feet / Bases:	Matte fine structure powder coated steel
Wheels:	Plastic rim, Rubber tread

Special features

Changeable canvas: Front and backside canvas can easily be removed without having to disassemble the screen.

Canvas design: The Akuart printed canvas offers a vast range of design options including colors, textures, graphics, signage and more.

Reinforced Corners: Metal inserts in corners ensure that the aluminum frame profiles are assembled without exposed and sharp edges.

Pinable: The screen has a soft pinable surface on both sides of the screen.

An extended range of frame colors: 9 standard fine structure powder coated frame colors to choose from.



Frame colors / Finishes



White



Black



Charcoal



Grey Green



Light brown



Army



Dark Blue



Light Grey



Red Brown

Custom frame colors



Frames in custom RAL or NCS colors can be ordered with different structures.
Price and finish on request.

Canvas

Function:	Changeable / Detachable
Fire retardant:	Classification B-s1 according to DIN EN 13501-1.
Environment:	Tested free from harmful substances according to Eco-Tex 100


Print

Ink type:	Water-based ink
Printing method:	Dye sublimation print (fully embedded in canvas fabric)
Environment:	Tested free from harmful substances according to Eco-Tex 100

Product care

Cleaning:	SS50 Wall Panel is easy to clean. It can withstand daily dusting, vacuuming and wiping with a semi wet cloth with the use of universal cleaning products.
Washable:	The canvas tolerates machine wash repeatedly.

Dimensions (Frame only)

Vertical: 

Size: width x height

w:800 x h:1300 mm

w:800 x h:1500 mm

w:800 x h:1800 mm

w:800 x h:2000 mm

w:1000 x h:2000 mm


w:1200 x h:1300 mm

w:1200 x h:1500 mm

w:1200 x h:1800 mm

w:1200 x h:2000 mm

w:1500 x h:2000 mm

Horizontal: 

Size: width x height

w:1600 x h:1500 mm

w:1800 x h:1500 mm

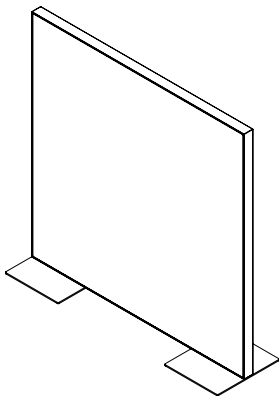
w:2000 x h:1500 mm

Custom sizes

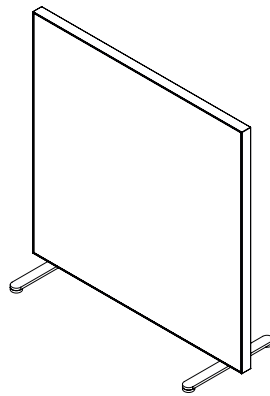
SS50 Floor Screen offers format flexibility.

It can be ordered in custom sizes within the range of the smallest standard size and the largest standard size.

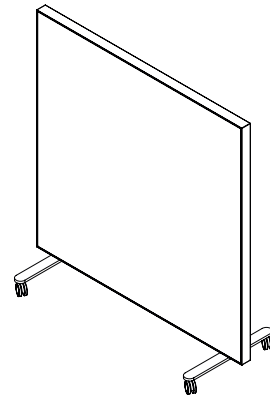
Feet / Base



Flat Base

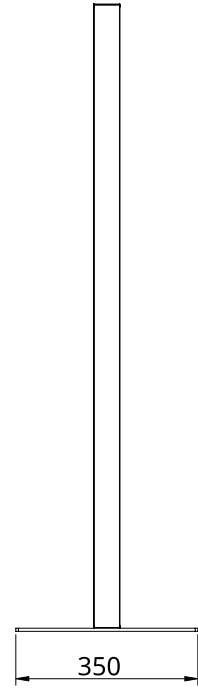
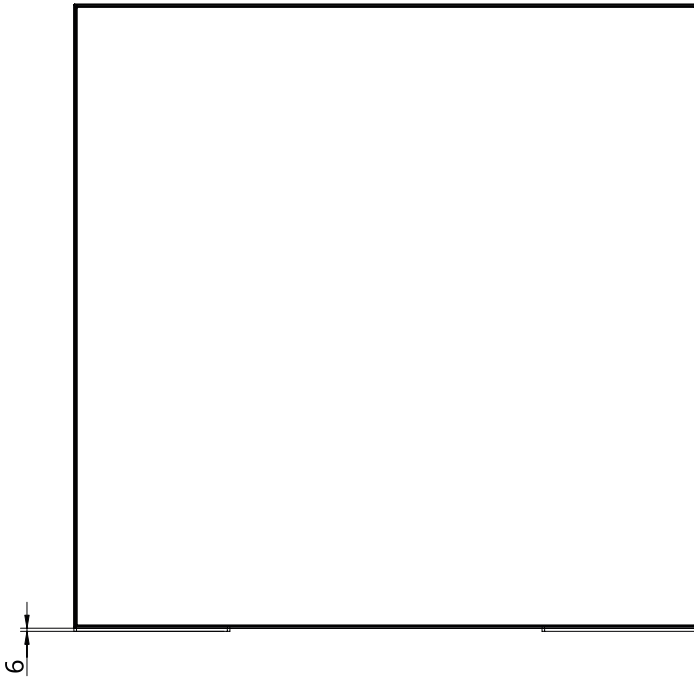


Elevated Base

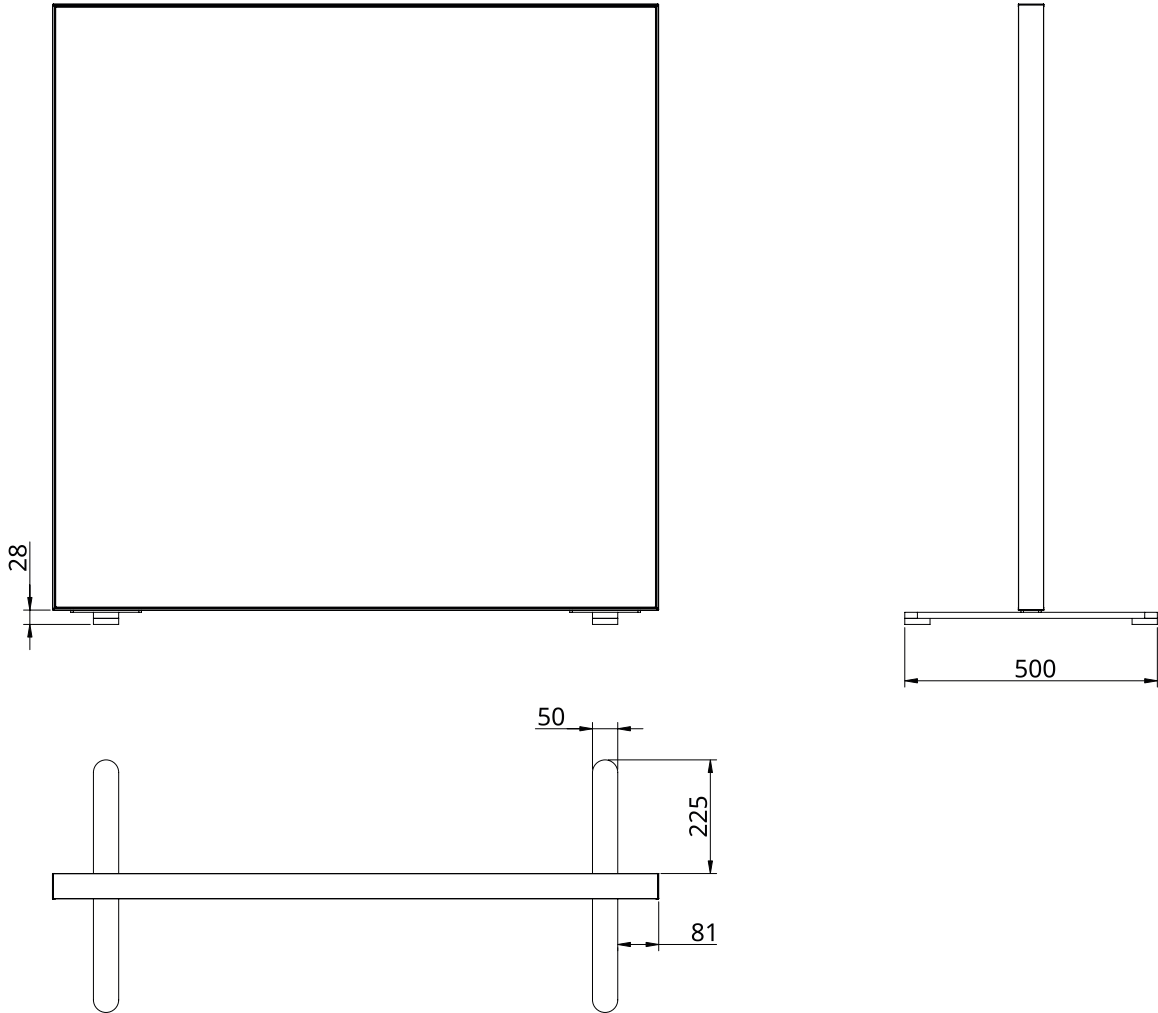


Wheeled base

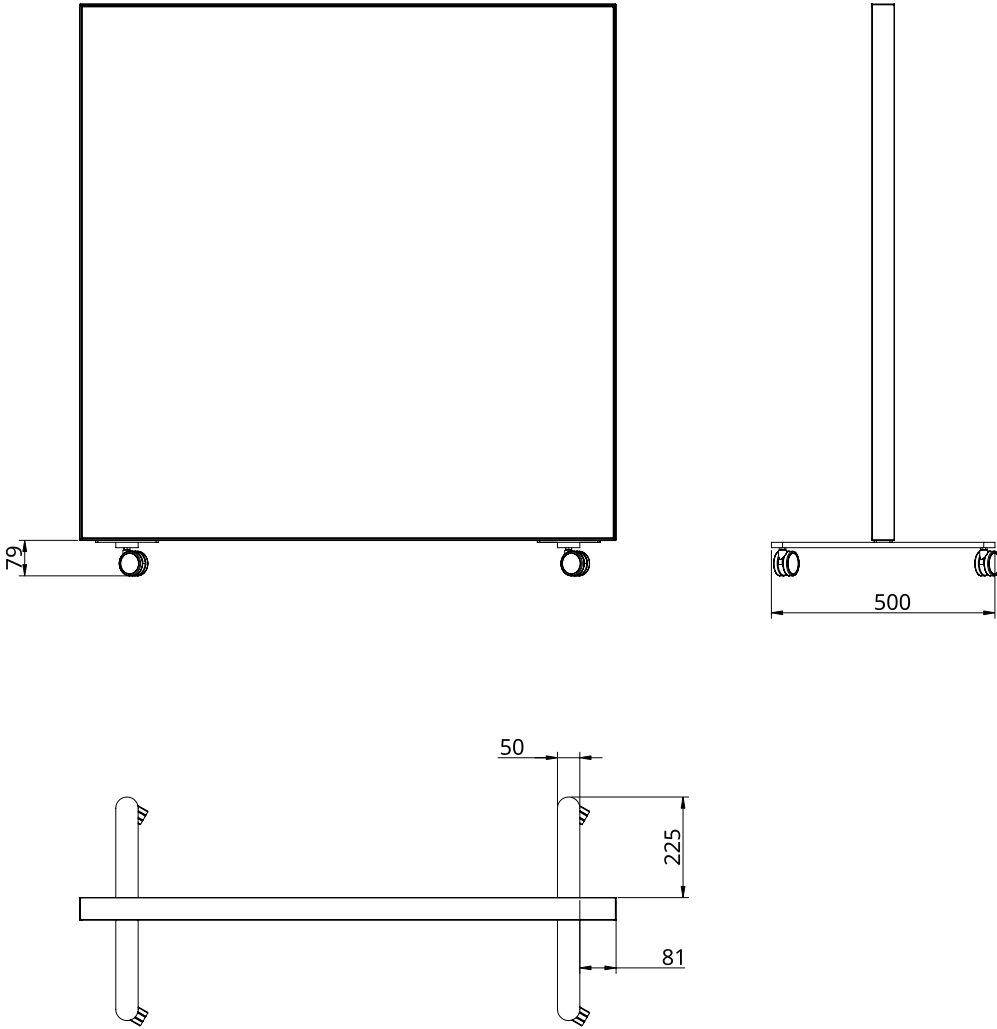
SS50 Floor Screen / Flat base



SS50 Floor Screen / Elevated Base



SS50 Floor Screen / Wheeled Based



Sound absorption test

The acoustic efficiency is tested by third party acoustic engineers in a sound engineering laboratory at the Technical University of Denmark. This means that architects, building consultants and designers can count 100% on the acoustic characteristics of the wall panel.

Acoustic functionality (Absorber)

Measurements performed according to ISO 354.

Sound absorption class: A
Absorption coefficient (α_w): 0.95
NRC: 0.95

Freq. [Hz]	Absorption coefficient		
	1/3-oct.	1/1-oct.	ref-curve
100	0.22	0.30	
125	0.27		
160	0.43		
200	0.54	0.70	0.75
250	0.70		
315	0.84		
400	0.98	1.00	0.95
500	1.06		
630	1.13		
800	1.15	1.00	0.95
1000	1.21		
1250	1.24		
1600	1.22	1.00	0.95
2000	1.18		
2500	1.11		
3150	1.10	1.00	0.85
4000	1.21		
5000	1.24		

