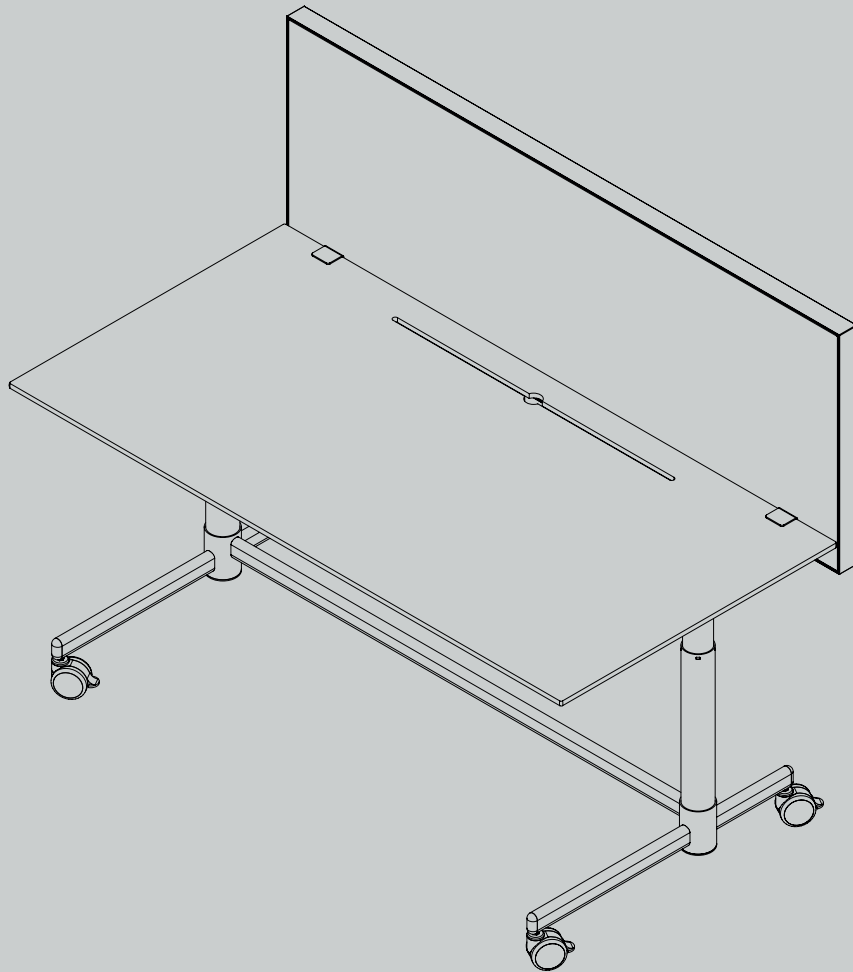


SS50 Desk Screen

Acoustic Desk Screen



Specification Sheet 2021

AKUART

SS50 Desk Screen



Product Description

The Akuart SS50 Desk Screen is the natural choice for privacy and quiet comfort at your workstation. It is carefully designed to interrupt speech from one workstation to another and has an extensive range of design options. The screen has 3 different mounting positions for the clamp mounts and comes with a variety of special features including the characteristic Akuart changeable canvas and a designed for disassembly product philosophy making it possible to recycle each and every single component of the screen.

Components

Frame:	Aluminum with 75% upcycled aluminum scrap. Fine structure powder coating
Acoustic material:	50 mm PET with 50% fibres from recycled plastic bottles
Canvas:	Changeable polyester textile made with 100% recycled polyester fibre.
Corner Inserts:	Metal inserts. Fine structure powder coating
Mounting:	Sub clamp mounts. Fine structure powder coating

Special features

Changeable canvas: Front and backside canvas can easily be removed without having to disassemble the screen.

Canvas design: The Akuart printed canvas offers a vast range of design options including colors, textures, graphics, signage and more.

Pinable: The screen has a soft pinable surface on both sides of the screen.

Reinforced Corners: Metal inserts in corners ensure that the aluminum frame profiles are assembled without exposed and sharp edges.

An extended range of frame colors: 9 standard fine structure powder coated frame colors to choose from.



Frame colors / Finishes



White



Black



Charcoal



Grey Green



Light brown



Army



Dark Blue



Light Grey



Red Brown

Custom frame colors



Frames in custom RAL or NCS colors can be ordered with different structures.
Price and finish on request.

Canvas

Function:	Changeable / Detachable
Fire retardant:	Classification B-s1 according to DIN EN 13501-1.
Environment:	Tested free from harmful substances according to Eco-Tex 100

Print

Ink type:	Water-based ink
Printing method:	Dye sublimation print (fully embedded in canvas fabric)
Environment:	Tested free from harmful substances according to Eco-Tex 100

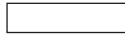
Product care

Cleaning: SS50 Wall Panel is easy to clean. It can withstand daily dusting, vacuuming and wiping with a semi wet cloth with the use of universal cleaning products.

Washable: The canvas tolerates machine wash repeatedly.

Dimensions (Frame only)

Low version:



Size: width x height

w:600 x h:450 mm

w:800 x h:450 mm

w:1000 x h:450 mm

w:1200 x h:450 mm

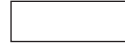
w:1400 x h:450 mm

w:1600 x h:450 mm

w:1800 x h:450 mm

w:2000 x h:450 mm

High version:



Size: width x height

w:600 x h:650 mm

w:800 x h:650 mm

w:1000 x h:650 mm

w:1200 x h:650 mm

w:1400 x h:650 mm

w:1600 x h:650 mm

w:1800 x h:650 mm

w:2000 x h:650 mm

Custom sizes

SS50 Desk Screen offers format flexibility.

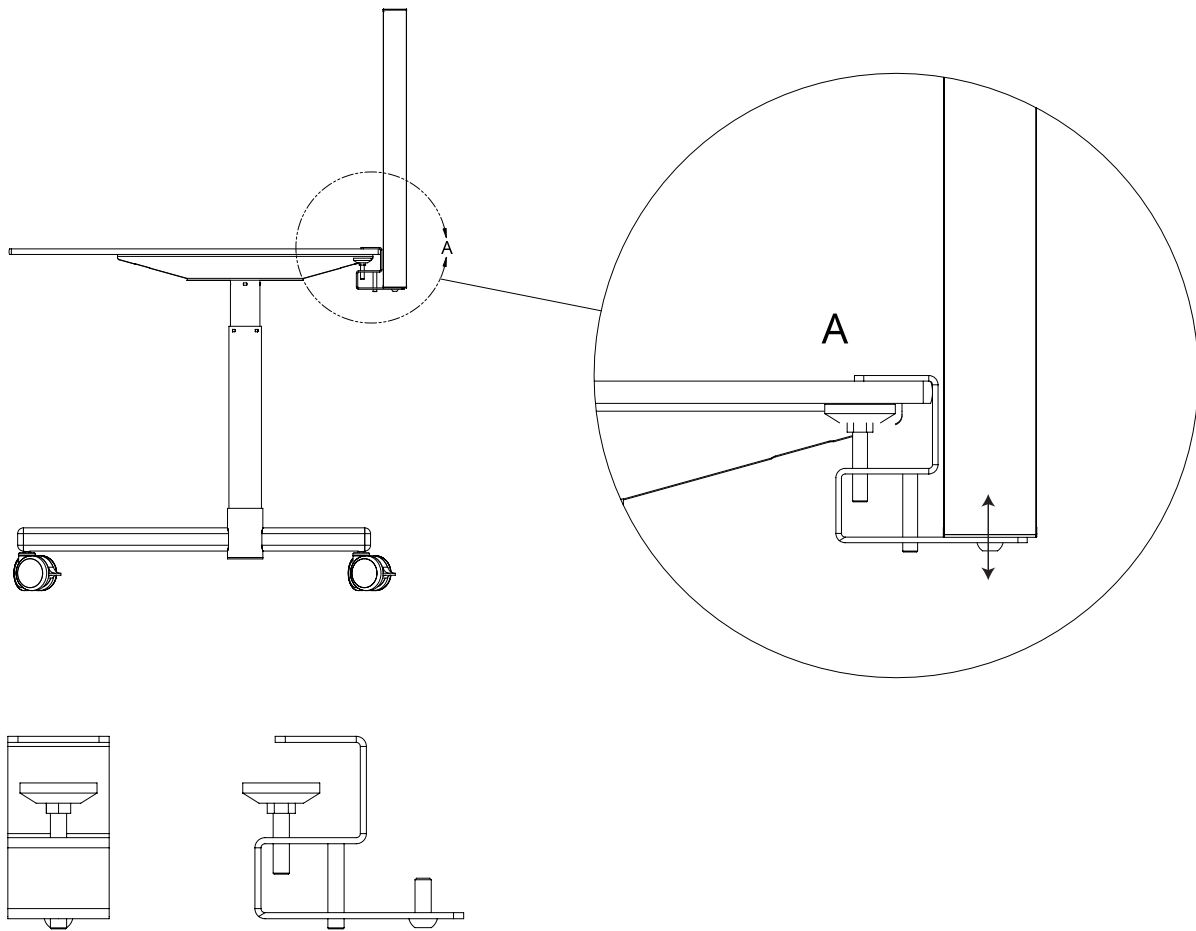
Special sizes can be ordered up to:

Length: Max. 2700 mm x Height: Max. 1000 mm

MOUNT

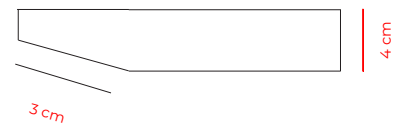
The SS50 Desk Screen is attached to the desk top with clamp mounts. The mounts differ by having an additional adjustable function that ensures 3 different mounting positions and that The Desk Screen can be slightly tilted back and forth. This secures that the screen is always vertically levelled, despite of any irregularities in the floor surface. This feature also secures that several desk screens align perfectly when placed continuously besides each other.

// The SS50 Desk Screen is mounted 10 cm below the desk top



DESK TOP SPECIFICATIONS

// Max. table top height: 4 cm / 1.57 "
// Max. length of bevel table top edge: 3 cm / 1.18"



Sound absorption test

The acoustic efficiency is tested by third party acoustic engineers in a sound engineering laboratory at the Technical University of Denmark. This means that architects, building consultants and designers can count 100% on the acoustic characteristics of the wall panel.

Acoustic functionality (Absorber)

Measurements performed according to ISO 354.

Sound absorption class: A
Absorption coefficient (α_w): 0.95
NRC: 0.95

Freq. [Hz]	Absorption coefficient		
	1/3-oct.	1/1-oct.	ref-curve
100	0.22	0.30	0.75
125	0.27		
160	0.43		
200	0.54	0.70	0.75
250	0.70		
315	0.84		
400	0.98	1.00	0.95
500	1.06		
630	1.13		
800	1.15	1.00	0.95
1000	1.21		
1250	1.24		
1600	1.22	1.00	0.95
2000	1.18		
2500	1.11		
3150	1.10	1.00	0.85
4000	1.21		
5000	1.24		

