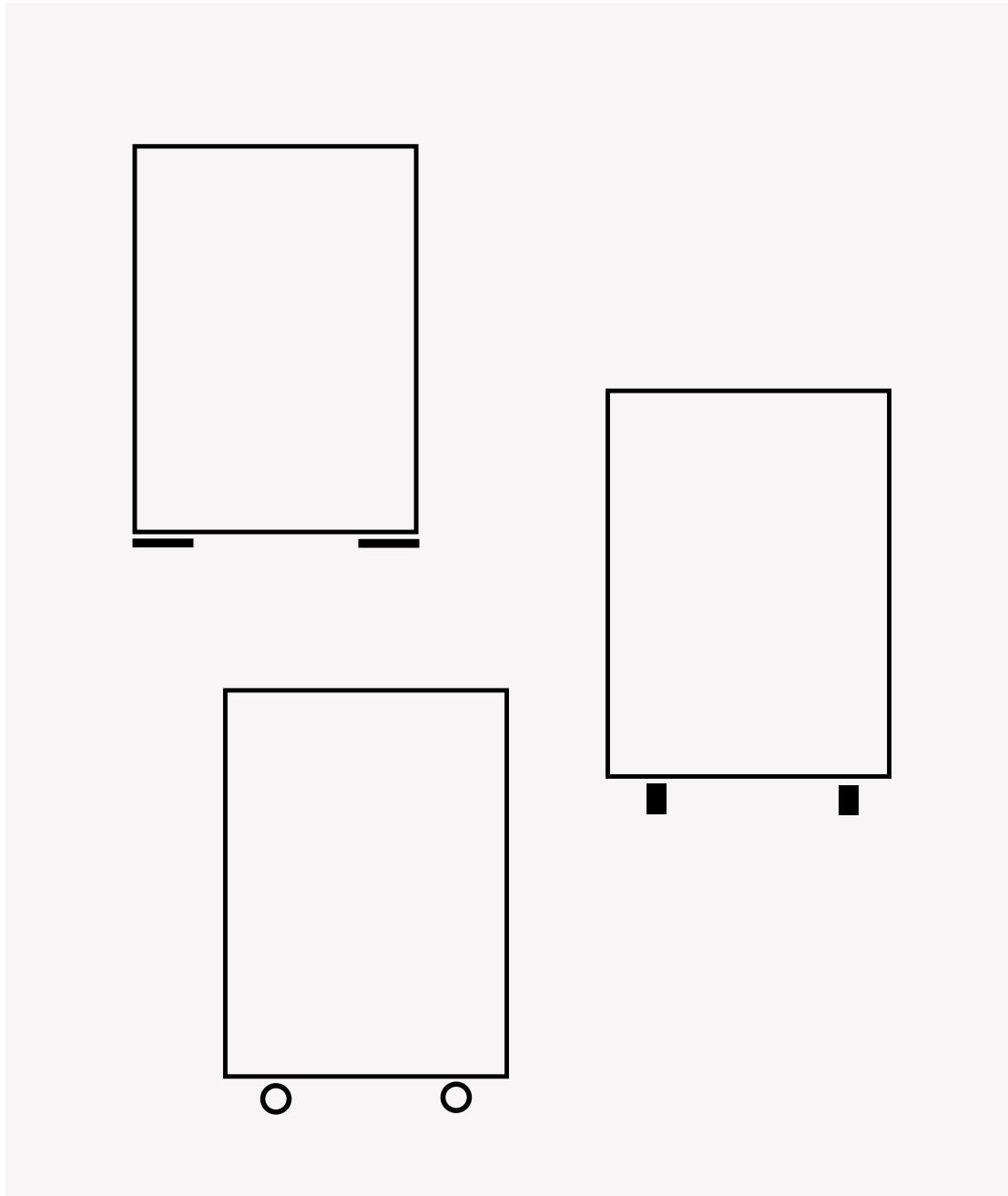


# STAND BY ME

Acoustic Floor Screen



Product Sheet // 2020

**AKUART**

# Stand By Me



## PRODUCT DESCRIPTION

Stand By Me is an effective and fully customizable acoustic floor screen that keeps you safe and sound from noisy environments. As part of the AKUART acoustic screen family this floor screen shares the same acoustic characteristics and complete freedom to make your own designs as the rest of the AKUART collection. It is as flexible as it is functional and stands out by its replaceable printed front and backside textile covers. It is available in 8 standard lengths and 3 different heights but can also be ordered in custom sizes. It is possible to choose between 3 different types of feet/bases.

## SPECIFICATIONS

Product:	Floor screen with replaceable front and backside printed textile covers
Acoustic material:	40 mm high-density glass wool
Corners Inserts:	Discrete ABS plastic corner inserts
Textile covers:	Printed polyester based textile
Frame:	Matte fine structure powder coated aluminum
Feet:	Matte fine structure powder coated steel
Wheels:	Rim polyamide, Tread Polyurethane
Weight capacity:	Wheel base: 320 kg / 705,48 lbs per screen

## SPECIAL FEATURES

**Textile cover:** The stretched fabric is form-stable and ensures that it does not wrinkle or fold when mounted on the frame. This applies throughout the product life cycle. The fabric is not sensitive to cold, heat or moisture. The fabric can be easily removed and changed without having to disassemble the screen. The fabric is washable without compromising shape stability.

**Corner Inserts:** Discrete ABS plastic inserts in the corners ensure that the aluminum frame profiles are assembled without exposed and sharp edges.

## FRAME COLORS / FINISHES



White  
RAL 9003



Black  
RAL 9011



Charcoal  
RAL 7021



Grey  
RAL 7004

## CUSTOM FRAME COLORS



Frames in custom RAL or NCS colors can be delivered with different structures. Price and finish on request.



## DIMENSIONS (FRAME ONLY)

// Length: 80 cm / 31.49"  
// Width: 6 cm / 2.36"  
// Height: 120 cm, 150 cm , 180 cm, 200 cm / 47.24", 59.05", 70.86", 78.74"

// Length: 120 cm / 47.24"  
// Width: 6 cm / 2.36"  
// Height: 120 cm, 150 cm , 180 cm, 200 cm / 47.24", 59.05", 70.86", 78.74"

// Length: 130 cm / 51.18"  
// Width: 6 cm / 2.36"  
// Height: 120 cm, 150 cm , 180 cm, 200 cm / 47.24", 59.05", 70.86", 78.74"

// Length: 140 cm / 55.11"  
// Width: 6 cm / 2.36"  
// Height: 120 cm, 150 cm , 180 cm, 200 cm / 47.24", 59.05", 70.86", 78.74"

// Length: 150 cm / 59.05"  
// Width: 6 cm / 2.36"  
// Height: 120 cm, 150 cm , 180 cm, 200 cm / 47.24", 59.05", 70.86", 78.74"

// Length: 160 cm / 62.99"  
// Width: 6 cm / 2.36"  
// Height: 120 cm, 150 cm , 180 cm, 200 cm / 47.24", 59.05", 70.86", 78.74"

// Length: 180 cm / 70.86"  
// Width: 6 cm / 2.36"  
// Height: 120 cm, 150 cm , 180 cm, 200 cm / 47.24", 59.05", 70.86", 78.74"

// Length: 200 cm / 78.74"  
// Width: 6 cm / 2.36"  
// Height: 120 cm, 150 cm , 180 cm, 200 cm / 47.24", 59.05", 70.86", 78.74"

## CUSTOM SIZES

The Stand by Me floor screen offers format flexibility.

Special sizes can be ordered in up to:

Length: Max. 270 cm / 106.29" x Height: Max. 200 cm / 78.74"

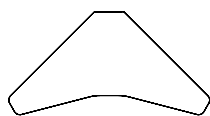
## ACOUSTIC MATERIAL

Absorption: Test results according to EN ISO 354. Classification according to EN ISO 11654  
Flammability: Classification A2-s1,d0 according to DIN EN 13501-1  
Environment: M1 label, The Indoor Climate label, CE label,  
Recommended by the Swedish Asthma and Allergies Association,  
Nordic Environmental Label, The International Recycling Label.

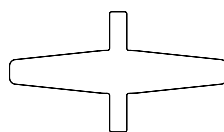
## TEXTILE COVERS

Function: Changeable/Detachable  
Flammability: Classification B-s1 according to DIN EN 13501-1  
Environment: Tested free from harmful substances according to Eco-Tex 100  
Maintenance: Endures daily dusting, vacuum cleaning and weekly wiping with a wet cloth and can be machine washed on a gentle wash cycle at 40 degrees celcius.

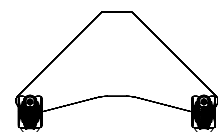
## FEET / BASE



Flat Base

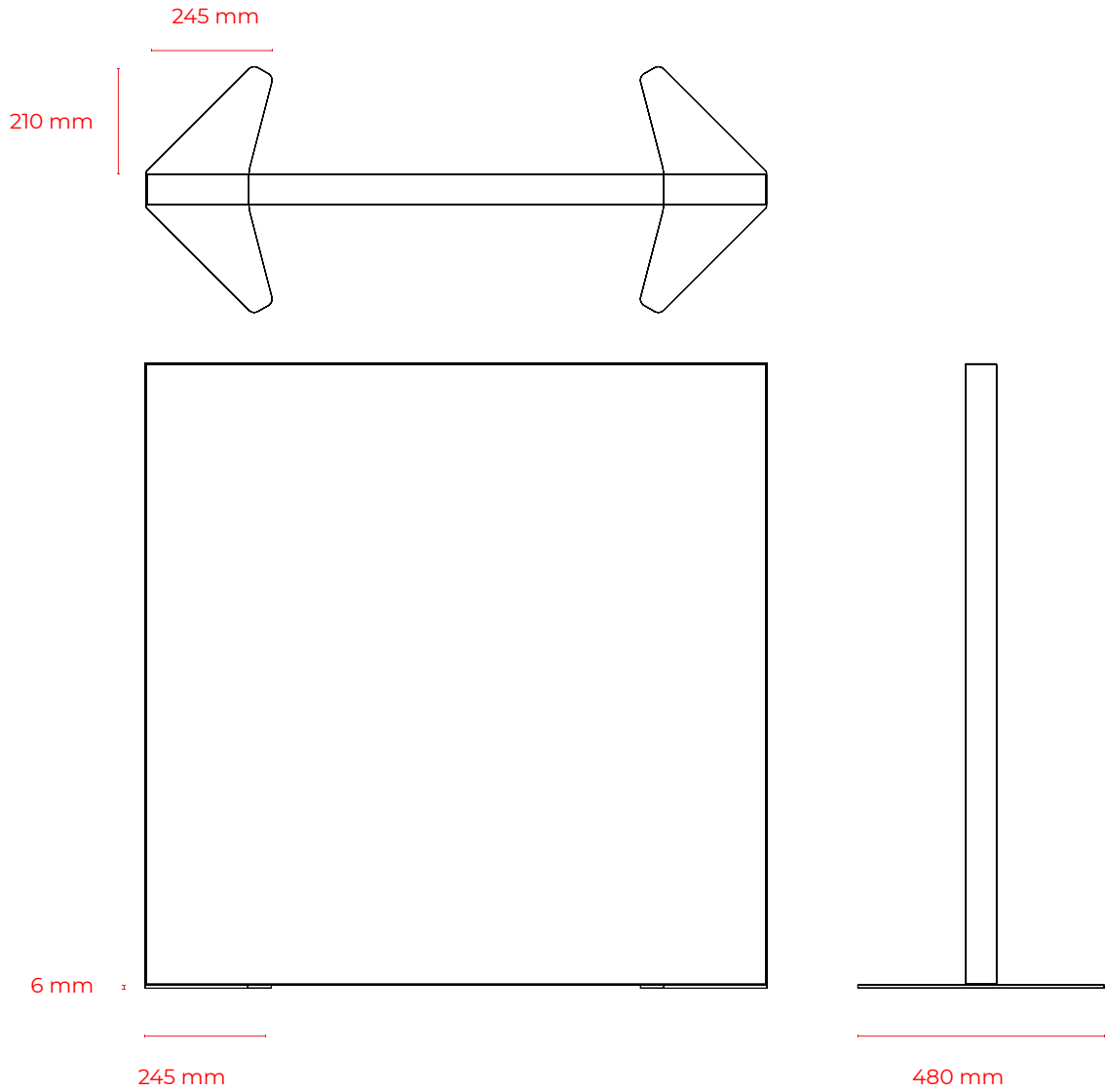


Elevated Base

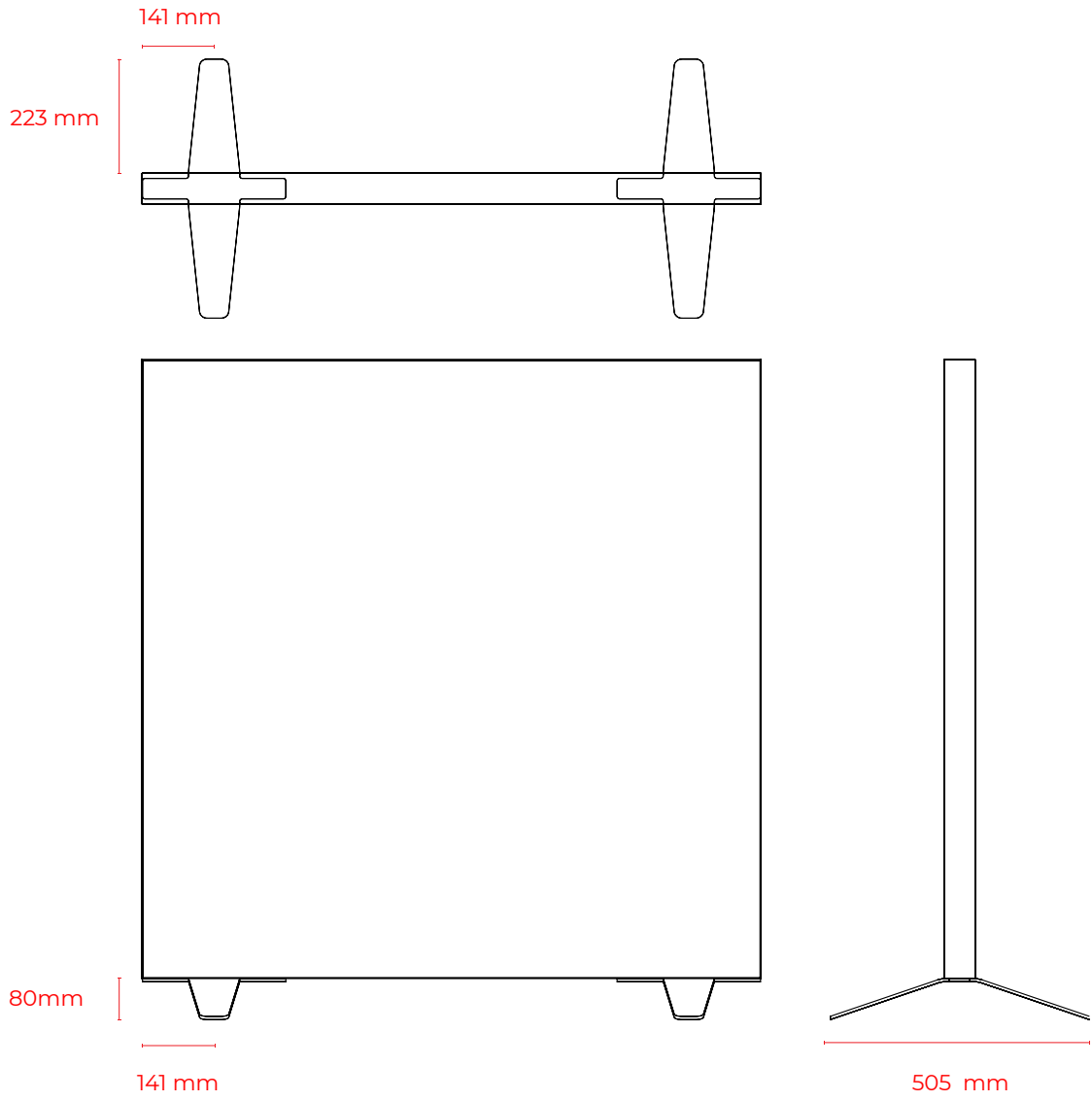


Wheel base

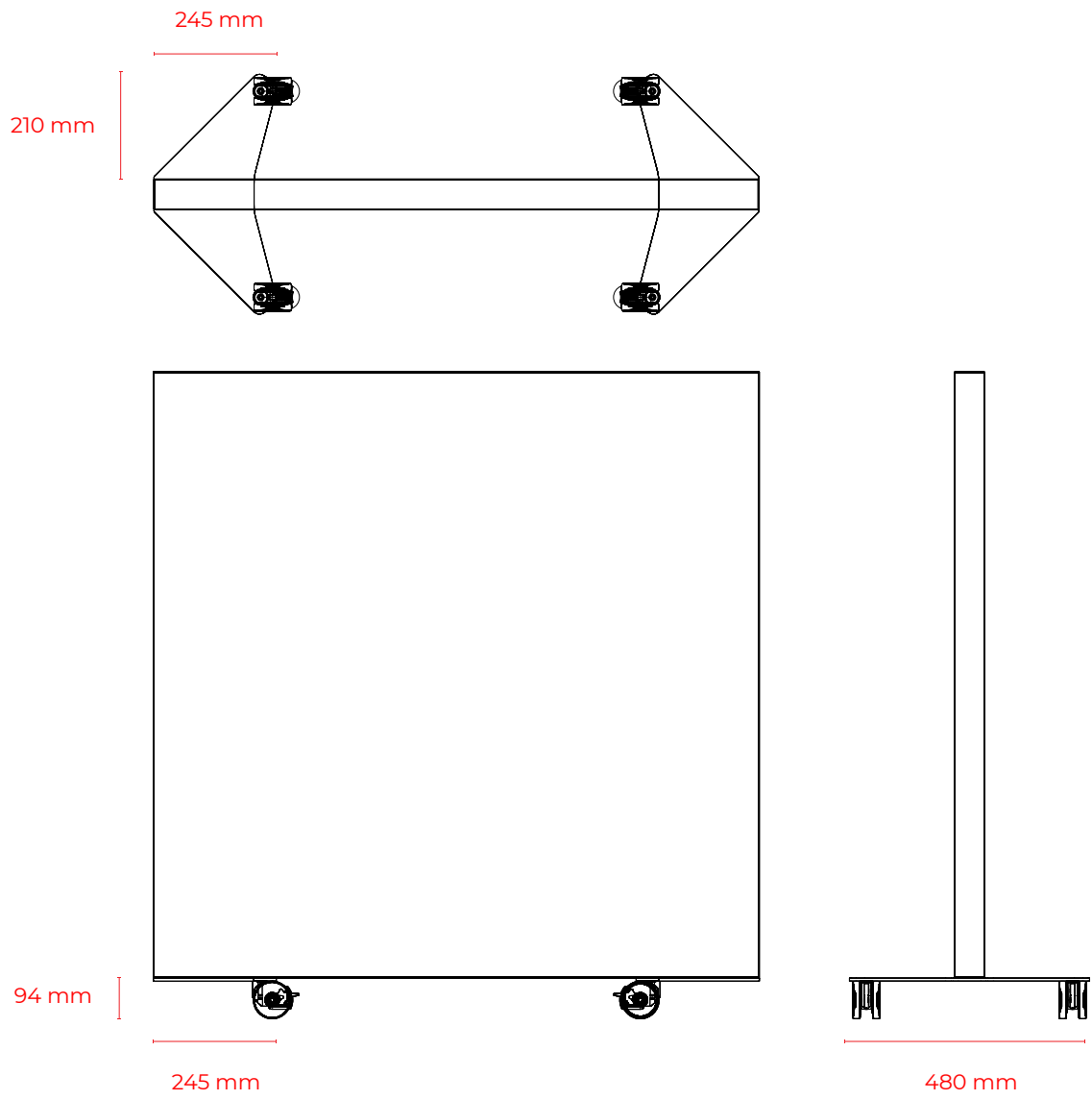
STAND BY ME / **FLAT BASE**



STAND BY ME / **ELEVATED BASE**



STAND BY ME / **WHEELS BASE**





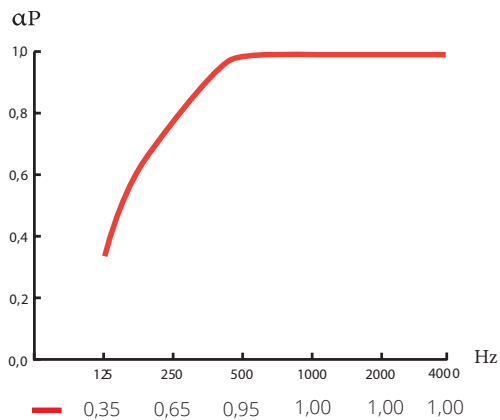
## ABSORPTION

The acoustic efficiency is tested by third party acoustic engineers in a sound engineering laboratory at the Technological University of Denmark. This means that architects, building consultants and designers can count 100% on the acoustic characteristics of the floor screen.

## SOUND ABSORPTION TEST

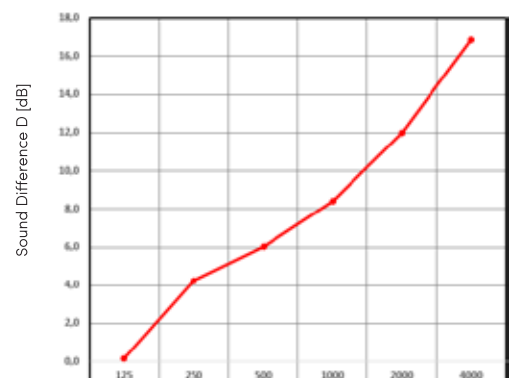
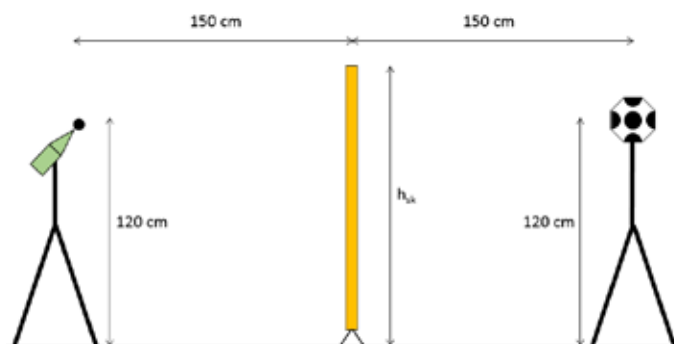
Measurements performed according to DS/EN ISO 354

Classification: A  
Absorption coefficient: 0,95



## SOUND STOP TEST

Measurements performed according to DS/ISO 10053



Frequency [Hz]