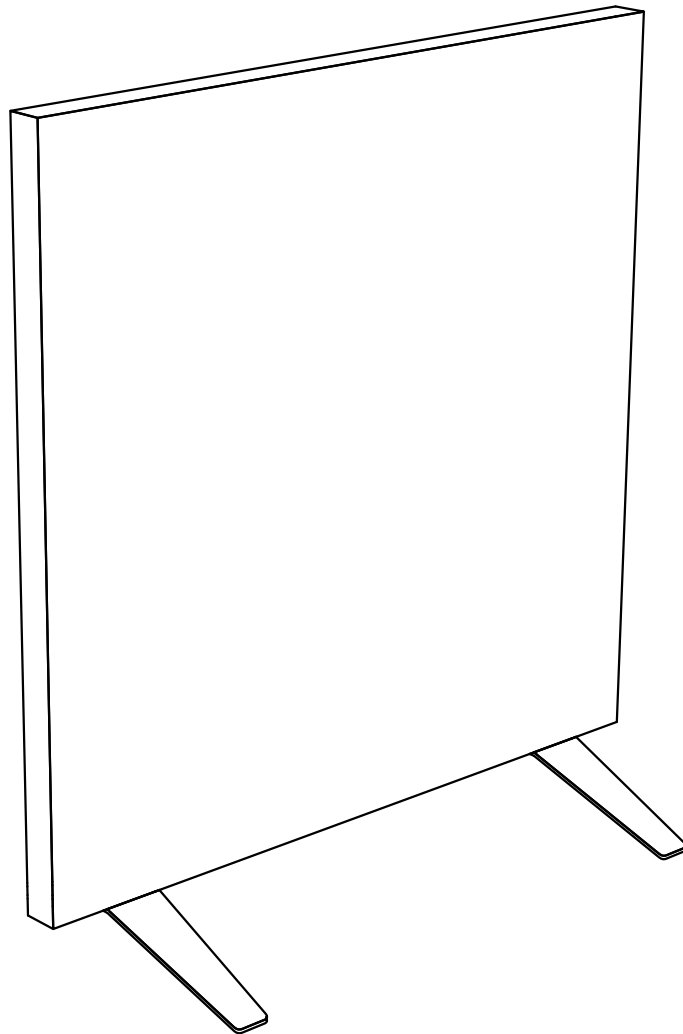


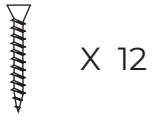
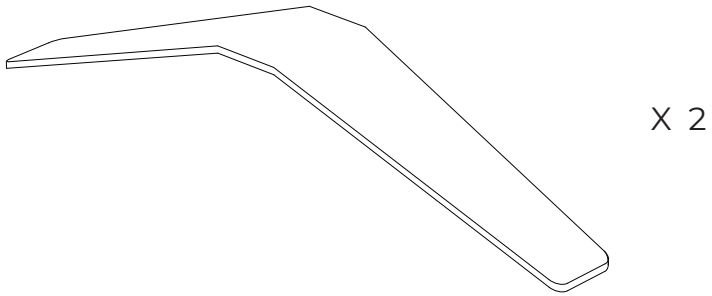
INSTALLATION MANUAL

**SMARTWALL**

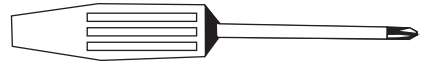
WINGS FEET



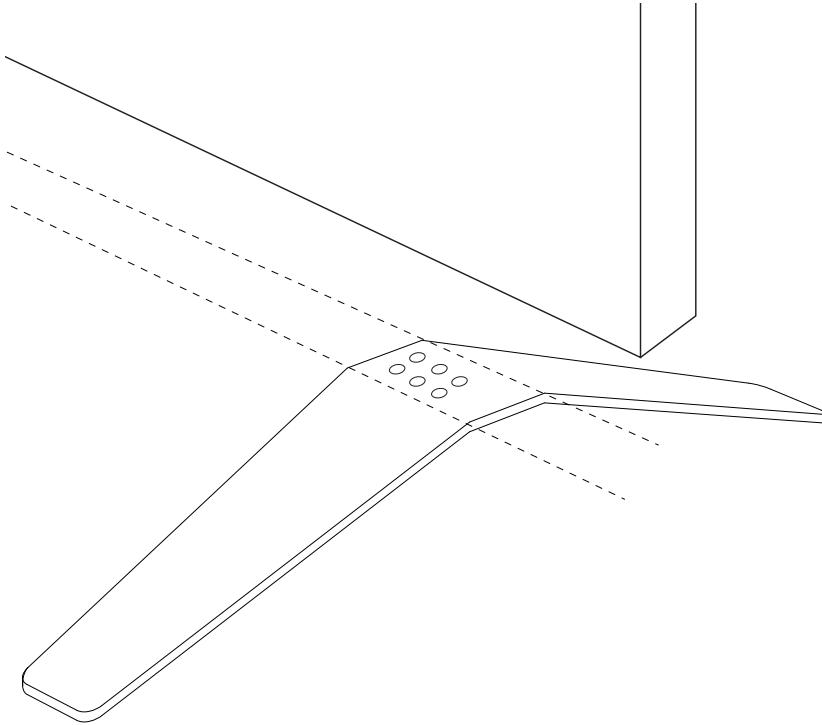
## COMPONENTS



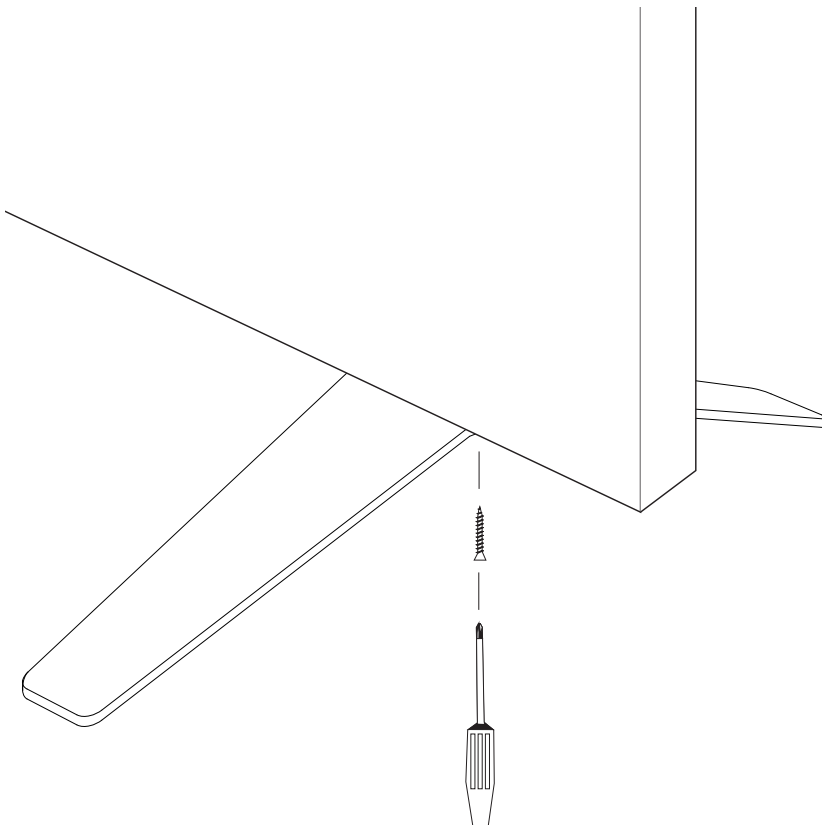
## TOOLS



1



2



3

